

Features

- Stronger signal strength
- Increased electrical noise resistance
- Utilizes standard electrical wiring—retrofits easily in existing homes
- Simple, manual control of lighting
- Aesthetically pleasing packaging



The **CL6-01 6-Button Controller** is the perfect choice for controlling your UPB lighting system devices (e.g. wall switch dimmers, etc.) to create a dramatic home lighting system. After installing and configuring your CL6-01 you will be able to transmit standard UPB commands over the existing powerline to remotely control your UPB lighting system devices and be able to see its pushbuttons light-up for feedback.

The CL6-01 has six pushbuttons normally labeled **ON**, **A**, **B**, **C**, **D**, and **OFF** (see reverse) with LED backlighting and two buttons (**UP** and **DOWN**) without backlighting. All of the components of the CL6-01 are highly configurable so you can customize them to operate your UPB lighting system exactly as you desire.

The 6-Button Controller is highly configurable. Many of its configuration options can best be enabled or modified with the use of a UPB setup tool like the NetPlace server.

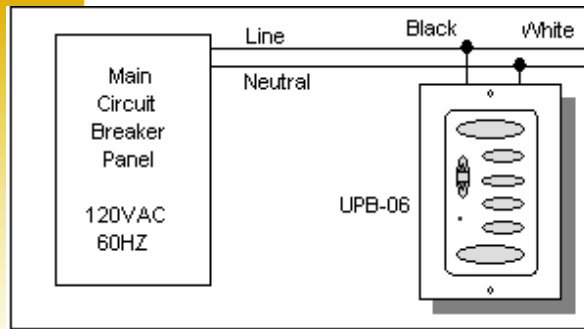
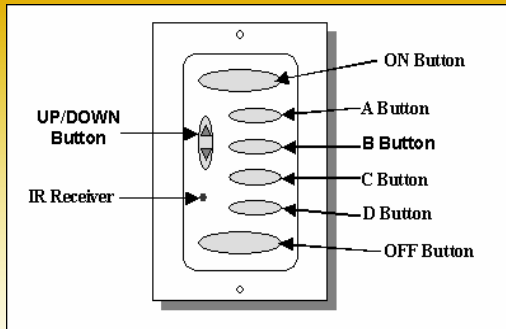
UPB Benefits

- Higher reliability
- Lower system cost
- Individual home selective (no crossover/interference from adjacent homes)
- Phase coupling not required except in very large homes
- Easily configurable

Applications

- Manually control whole house lighting and appliances, from a remote location within the home
- Easily control whole groups of lighting (scenes) from anywhere in your home
- Control functions based upon time/event programming when connected to Web Mountain NetPlace server

CL6-01 6-Button Controller



Installation

Requires a neutral wire. Installation by a licensed electrician is recommended.

Specifications	
Model Name	6-Button Controller
Model Number	CL6-01
Packaging	Fits one position of standard J box
Dimensions	4.1 X 1.7 X 1.8 in
Net Weight	2 oz.
Protocol	UPB
Addressing	250 network codes; 250 individual device codes
Input Voltage	120V AC +/-10%, 60 Hz
Certifications	UL 1950, FCC Part 15, Class B
Operating Temperature	0° to +50° C, -30° to 120° F

Web Mountain Technologies, LLC
 13882 E. Grand Ave., Aurora, CO 80015
 info@webmtn.com www.webmtn.com

Sales Ph: 720-207-9174
 Office Ph: 303-627-1856
 Fax: 303-627-7665