

## UPIM-01 UPB Plug-in Computer Interface Module with USB Port

### Features

- Stronger signal strength
- Increased electrical noise resistance
- Utilizes standard electrical wiring - retro-fits easily in existing homes
- Pass-through electrical plug
- Compact and pleasing packaging

### UPB Benefits

- Higher reliability
- Lower system cost
- Individual home selective (no cross-over/interference from adjacent homes)
- Phase coupling not required except in very large homes
- Easily configurable
- No new wires

### Applications

- The UPIM-01 is the ideal way to connect to a PC for configuring a UPB network with UPStart



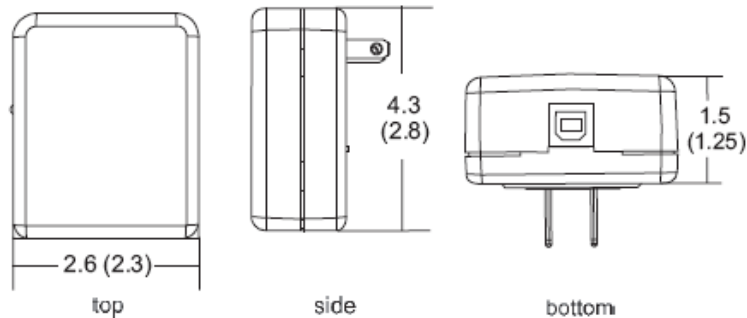
The **UPIM-01 UPB Computer Interface Module** provides a mechanism to convert UPB signals from a computer or NetPlace server to the AC network for transmission throughout the home.

The UPIM module plugs into a standard AC outlet. On the bottom of the unit is a standard USB connector which is attached to a USB port on the computer using the appropriate cable.

The key to the UPIM module's function is the Universal Powerline Bus technology for communication applications. Use of standard electrical wiring for communication transmission is possible due to lower noise levels, stronger signal strength and improved reliability surpassing technologies such as X-10, CeBus and others. UPB technology also allows enough individually addressable devices to control the largest residential environment—usually without the need for phase coupling and without affecting or being affected by adjacent home environments.

The UPIM module is ideal for an installer configuring any UPB devices with a laptop personal computer (PC) using UPStart software, since it plugs in to the popular USB port. The UPIM-01 is not recommended for connection of home automation controllers. For connection to home automation controllers use the SPIM-01 instead.

# UPIM-01 UPB Plug-in Computer Interface Module with USB Port



### Installation

Plug the module into a wall outlet, then connect it to a PC with the included USB cable.

Specifications	
Model Name	Computer Interface Module—USB port
Model Number	UPIM-01
Case	2-Prong Plug-in module
Dimensions	Approx. 1.25"D X 2.3"W X 2.8"H
Net Weight	8.8 oz.
Protocol	UPB
Input Voltage	120V AC +/- 10%, 60 Hz, 3 prong
Computer Interface	USB
Certifications	ETL 1950, FCC Part 15, Class B
Operating Temperature	0° to +50° C, 30° to 120° F

Web Mountain Technologies, LLC  
 13882 E. Grand Ave., Aurora, CO 80015  
 info@webmtn.com      www.webmtn.com

Sales Ph: 720-207-9174  
 Office Ph: 303-627-1856  
 Fax: 303-627-7665