



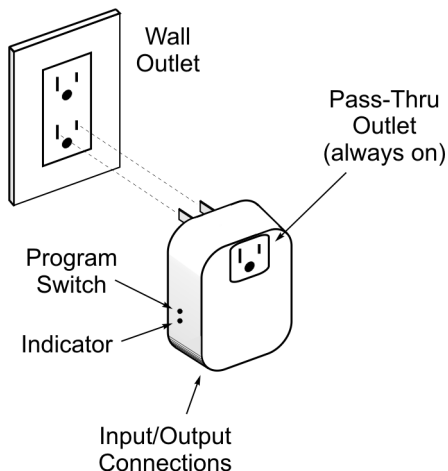
FUNCTION

The Input/Output Module, model CM-01, can be used to control UPB devices using a low-voltage trigger input (e.g., a contact closure, voltage, current, doorbell, telephone ring, etc.), and to activate low-voltage outputs based on UPB commands. The module accepts up to 3 inputs and 2 outputs. For safety reasons, you should not connect voltages higher than 30VAC (42VDC) to the input/output terminals, because doing so can present a shock hazard.

INSTALLATION

The Input/Output Module is designed for indoor use with devices that plug into a power outlet. To install the CM-01 module:

1. Locate a wall outlet near the wiring to be connected. Plug the CM-01 module into the wall outlet (see illustration below).
2. Connect wires from the item(s) to be monitored/controlled to the terminal block located on the **bottom** of the module. See reverse side for examples of applications and proper wiring diagrams. To make connections, use a small tool to depress the orange release lever above the wire hole until the wire can be inserted or removed.
3. If desired, another device can be plugged into the socket on the **front** of the module, which is always powered.



IMPORTANT SAFETY INSTRUCTIONS

When using electrical products, basic safety precautions should always be followed, including the following:

1. READ AND FOLLOW ALL SAFETY INSTRUCTIONS.
2. Keep away from water. If product comes into contact with water or other liquid, unplug immediately.
3. Never use products that have been dropped or damaged.
4. Do not use this product outdoors.
5. Do not use this product for other than its intended use.
6. Do not connect multiple lamps or appliances that, when combined, exceed the maximum load ratings of the product.
7. To avoid risk of fire, burns, personal injury and electric shock, install this product out of reach of small children.
8. Do not cover the product with any material when in use.
9. This product uses polarized plugs and sockets (one blade is wider than the other) to reduce the risk of electric shock. These plugs and sockets fit only one way. If they do not fit, consult a technician. Do not use with an extension cord unless plugs can be fully inserted. Do not alter plugs.
10. SAVE THESE INSTRUCTIONS.

CONFIGURATION

1. To configure the CM-01 and assign it to one or more controllers, **please refer to instructions for the controller.**
2. When configuring a UPB system, it may be necessary to place the CM-01 in SETUP mode. To do this, press the Program Switch (see illustration) five times rapidly using a non-metallic toothpick. The indicator will continuously blink GREEN when the unit is in SETUP mode. To exit SETUP mode, press the Program Switch once or wait five minutes.



CAUTION: Do not insert metal objects into the module while it is connected to power.

OPERATION

Inputs applied to the CM-01 module can be set to activate or deactivate other UPB devices or scenes based on either the presence or absence of the input, or both. When the input is applied, the corresponding INPUT indicator will glow GREEN.

Outputs operate according to commands sent by a controller or UPB device. When the output is ON, the corresponding OUTPUT indicator will glow GREEN. Note that outputs can only be activated via UPB commands, and **not** via inputs within the same module.

UPB FACTORY DEFAULT SETTINGS

To restore the following default settings, place the CM-01 in SETUP mode and then press the Program Switch ten times. The indicator will flash RED. Press the switch twice to exit this mode.

Network Name	"Network 1"
Room Name	"New Room Name"
Device Name	"New CM01"
Unit ID	40
Network ID	255
Network Password	1234

WIRING DIAGRAMS

The CM-01 module can accept up to 3 inputs and 2 outputs. Each input has different wiring configurations, depending upon the type of input being sensed:

- Input #1 can accept a phoneline (for ring detect) or a low-voltage input.
- Input #2 can accept a dry contact closure or a low-voltage input.
- Input #3 can accept a current input (wired in series with a doorbell switch), a dry contact closure, a low-voltage input, or a line audio input with a choice of two trigger thresholds.

Telephone Ring Detect Input

- Input #1: Tip and Ring connect to terminals 5 and 6.

Contact Closure Inputs

- Input #2: Connect wires to terminals 9 and 10.
- Input #3: Connect wires to terminals 15 and 16.

Voltage Sense (triggers on a 4-5VAC/DC threshold)

- Input #1: Connect wires to terminals 6 and 7.
- Input #2: Connect wires to terminals 8 and 9.
- Input #3: Connect wires to terminals 14 and 15.

Doorbell Detect (current sense, triggers at around a 200mA threshold)

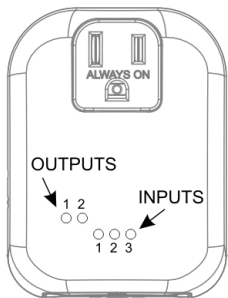
- Input #3: Wire in series, preferably at transformer, connecting wire from doorbell switch to terminal 14 and connecting wire from terminal 13 to the transformer.

Audio Sense (-30dBV or -10dBV audio sense)

- Input #3: From line audio source, connect center conductor to terminal 11 for -30dBV or terminal 12 for -10dBV. Connect the shield to terminal 13.

Low Voltage Outputs (60VAC/DC @400mA max.)

- Output #1: Connect wires in series with a source of low-voltage power and the load to terminals 1 and 2.
- Output #2: Connect wires in series with a source of low-voltage power and the load to terminals 3 and 4.



Input/Output LED Indicators

